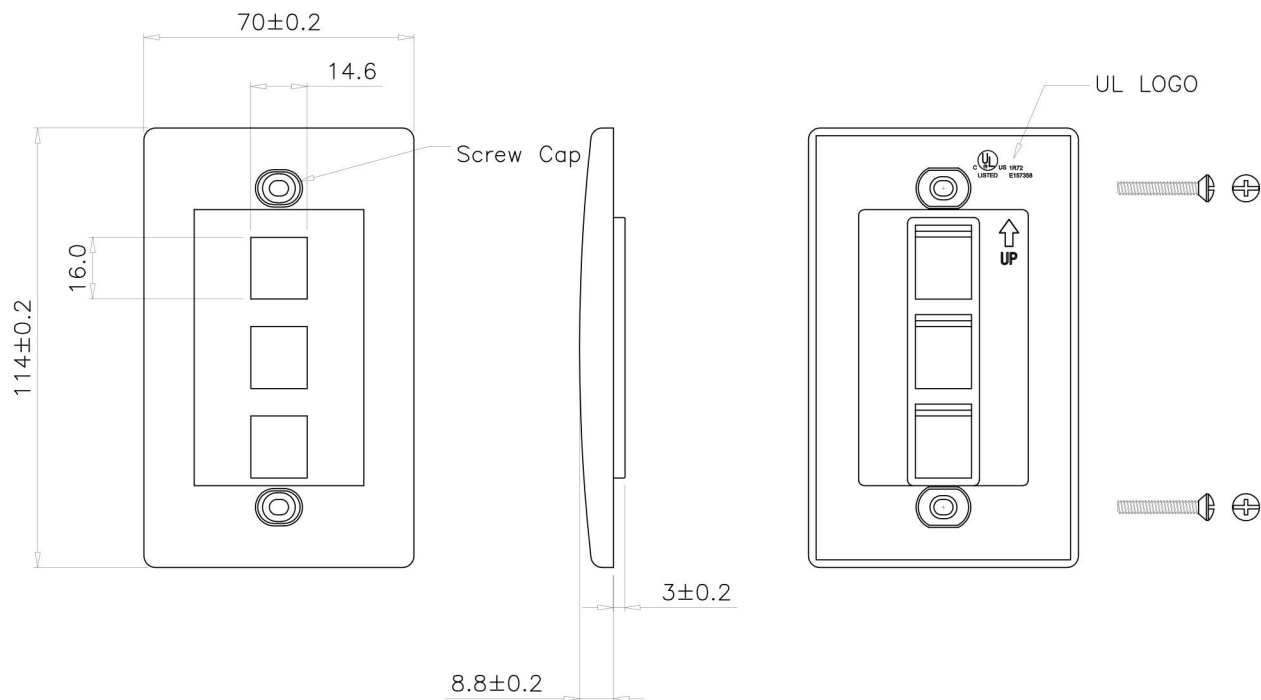


SCALE 1/2



Specification :

1. Material : ABS UL 94V-0.
2. Screw : 6 # x 25.
3. Screw Caps : ABS UL 94V-0.

GENERAL TOLERANCE OF DIMENSIONS X.XXX ±0.005 X.XX ±0.05 X.X ±0.1	DRAWING	25.FEB.2004	Nick	<b>ConnEX</b>
	CHECK	25.FEB.2004	YTY	
	APPROVAL	25.FEB.2004	Magic	
	DATE	NAME	ITEM NO.: <b>NTL-P3-WH</b>	
SCALE	1/2 (A4)	UNIT	mm	DES.: Flush Plate, 3 Port, Vertical
	DRAWING NO. <b>NTL-P3-WH</b>			
	DRAWING CLASSIFICATION			